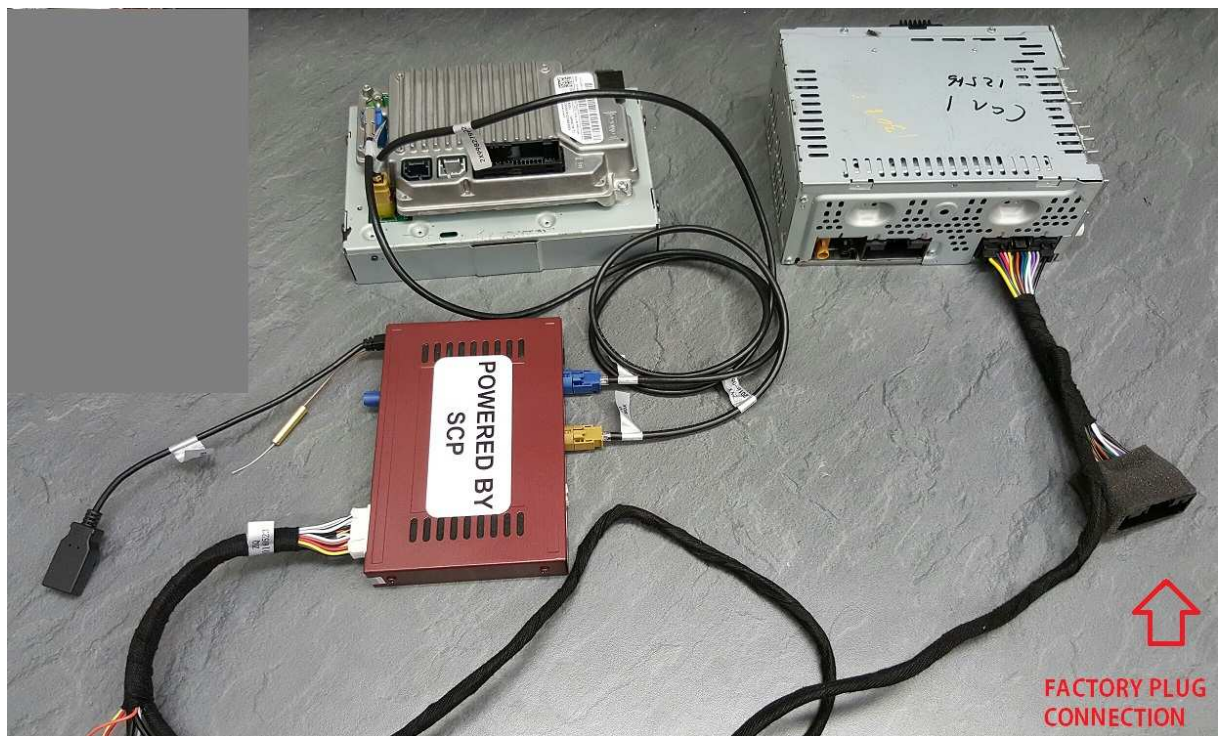


► CARPERFORMANCE

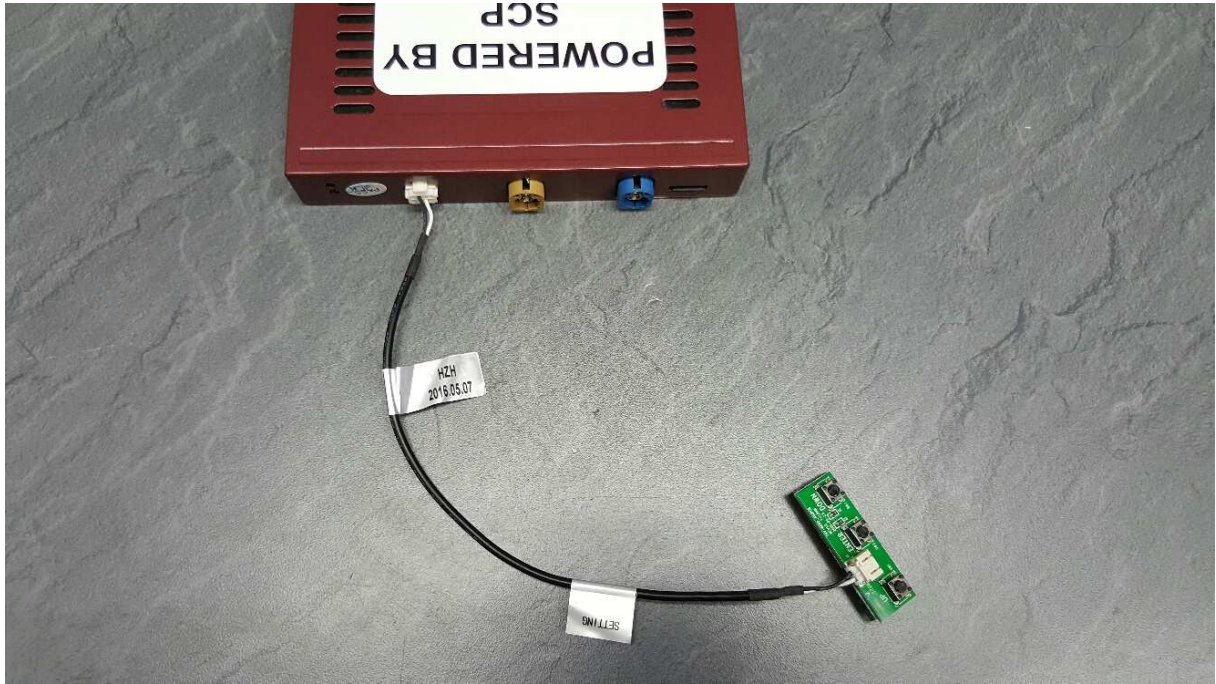
SYNC 3 ANDROID SYSTEM



Connect the system as the picture show.



Switch to Android is done with a 3 sec press on the left arrow on the steeringwheel.

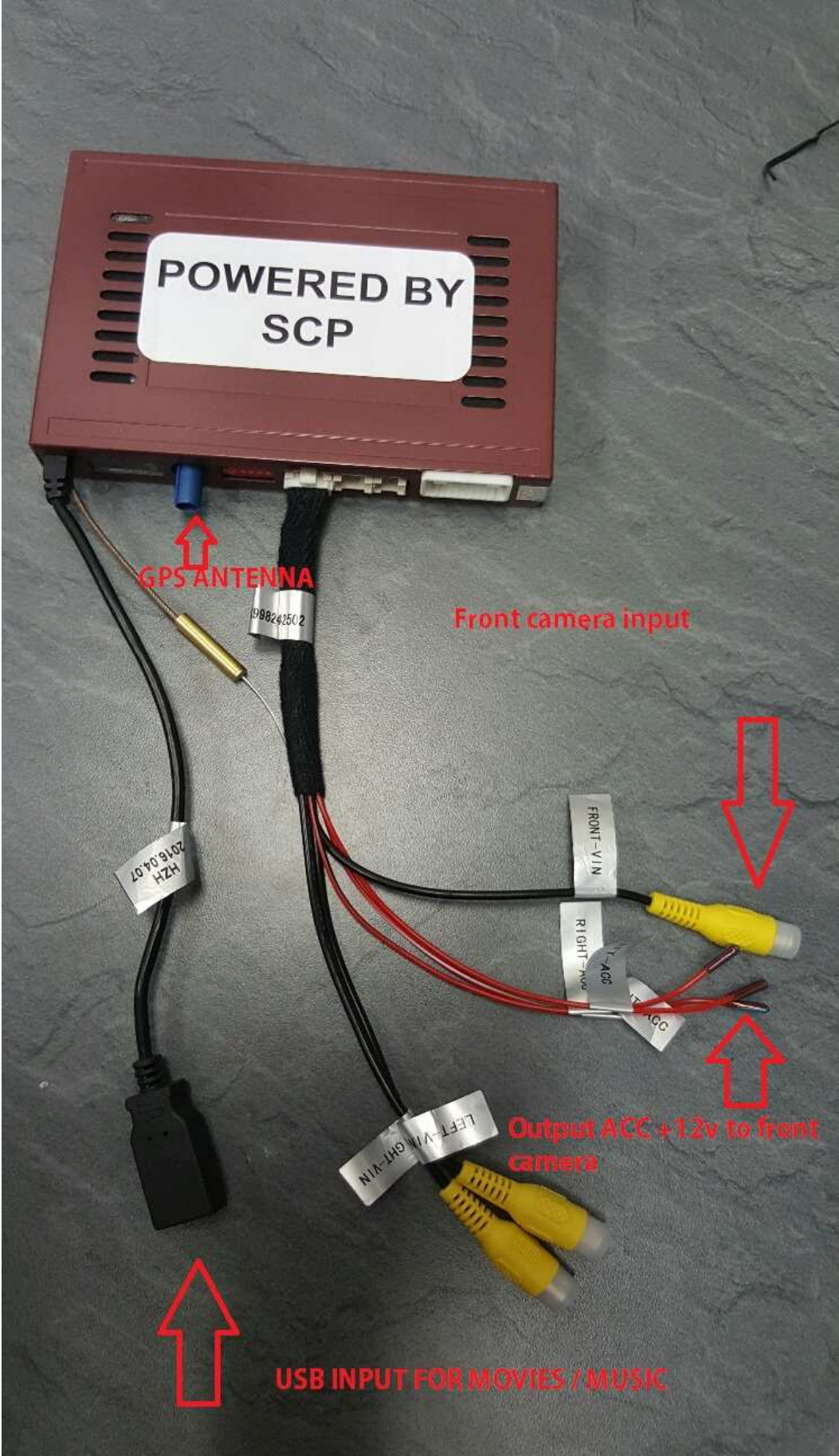


You have option to install a front camera to the system that will automaticly turn on when the gear shiffter is set to Drive.

To select this you connect the included program board to the input of the android box see picture.

You check the box to front camera ON with the key board. Once set disconnect the programming cable.





POWERED BY
SCP

GPS ANTENNA

Front camera input

HZH
2016.04.07

FRONT-VIN

RIGHT-ACC

LEFT-VIN-GHT-VIN

Output ACC +12v to front
camera

USB INPUT FOR MOVIES / MUSIC

Connect the front camera to the included harness and connect the harness to the box as picture show.

You will have +12 v acc wire that you can use to power the camera.



AUX OUTPUT

Sound output from android is through bluetooth or Aux

If you go with bluetooth then you set the android bluetooth to ON and start pairing the factory sync 3 bluetooth and pair it , once paired select only media bluetooth in the android setting.

Video how it work with pairing bluetooth

As Sync 3 cant hold 2 bluetooth devices at the same time you need to switch source if you have your phone connected also and want to listen to the android in the factory speakers.

<https://www.youtube.com/watch?v=dr-ryGv-OE8>

For Aux you connect the cable to the harness(see above picture) and run the cable to aux input of the car.

For cars that dont have aux input you can use a FM Transmitter and connect that to the AUX outputs of the android system , normally you need to buy an extra cable Male Aux to female 3.5